

CHSIS2A and CHSIS4A

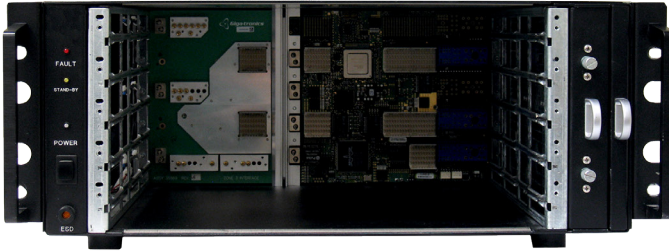
AXIe System Chassis (2 and 4 channel systems)



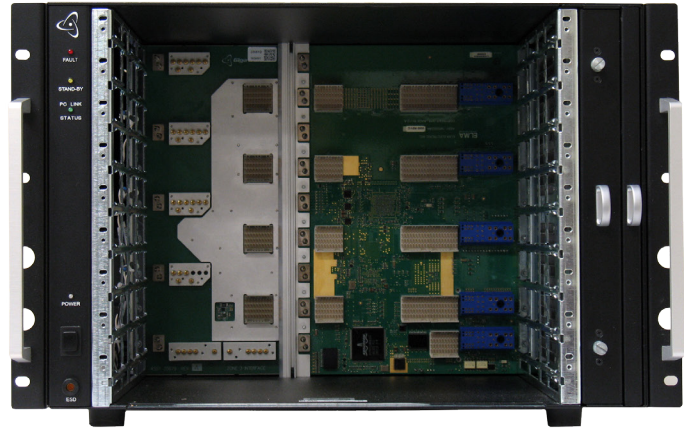
- Multi-channel configurations
- Dedicated standby power supply for reference module slot
- Field replaceable power supply, fans and fan filter
- Supports up to 200 W per 2U slot
- Rear panel connectivity
- Proprietary Zone 3 coherence RF backplane and analog synchronization bus

Giga-tronics

Solutions for Next Gen EW / Radar Test & Deployment



CHSIS2A 2-Channel AXIe System Chassis



CHSIS4A 4-Channel AXIe System Chassis

The Giga-tronics CHSIS2A and CHSIS4A are AXIe compliant system chassis designed to house the Giga-tronics ASGM18A AXIe Advanced Signal Generator, the ASAM18A AXIe Advanced Signal Analyzer and the SRM100A AXIe Advanced System Reference module. With up to four instrument slots (2-Channel Chassis) and to seven instrument slots (4-Channel Chassis), each chassis provides the backplane hardware to enable phase-coherent RF signal creation and up and down conversion of RF microwave signals for the most demanding threat emulation applications.

All specifications apply over the +20 °C to +30 °C temperature range after a 30 minute warm-up period unless otherwise noted.

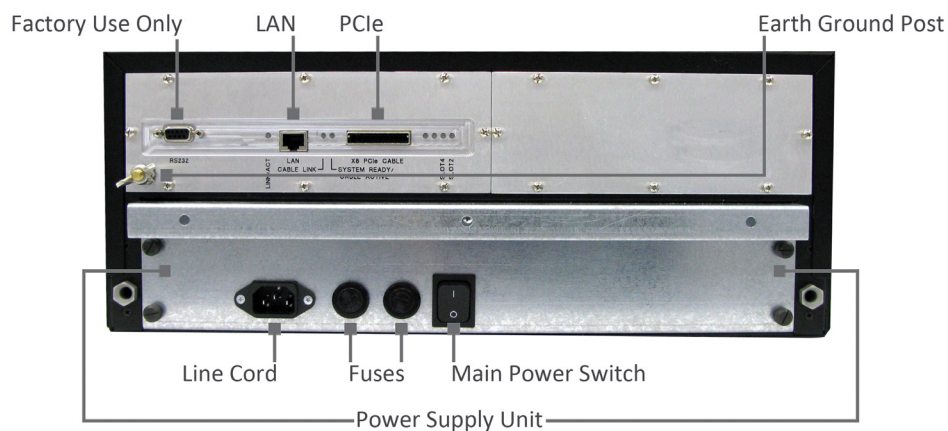
Features:

- Houses one to four Giga-tronics Advanced Signal Generator or Analyzer Modules and a System Reference Module
- Compatible with selected AXIe arbitrary waveform generators and digitizers from a number of leading companies
- High reliability for mission critical applications
- Chassis health monitored with embedded temperature, fan and voltage sensors
- AXIe platform ensures high performance in a small footprint, ideal for RF/Microwave modular applications
- Easy to maintain: Replace fans, filters, and power supply without having to remove the chassis from rack mount
- PCIExpress x8 GEN2 (full instrument control)
- 4U or 7U high and rack-mountable

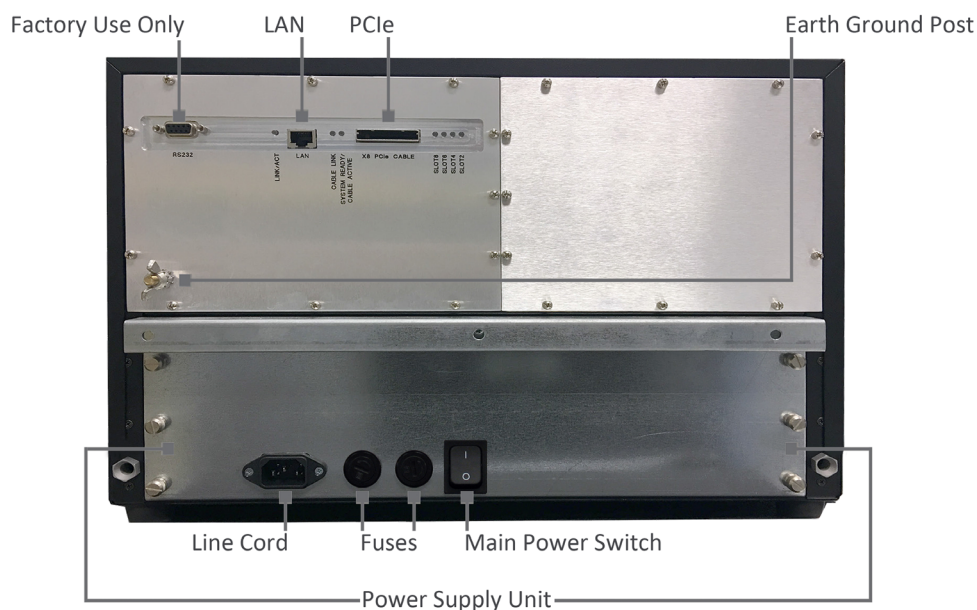
Host Computer Connectivity

All instrument control is facilitated using an external computer. The chassis has PCIe and Gigabit Ethernet LAN interfaces located on the rear panel. Advanced Signal Generator and Analyzer Modules have front panel USB and high speed parallel interfaces.

- **Rear View - CHSIS2A AXIe System Chassis**



- **Rear View - CHSIS4A AXIe System Chassis**



Chassis Characteristics

Backplane

Slot 1 houses the SRM100A System Reference Module and the other slots house the Giga-tronics Advanced Signal Generator or Analyzer Modules or selected AXIe compatible modules. Up to two ASGM18A Advanced Signal Generator and/or ASAM18A Signal Analyzer Modules can be installed into one in CHSIS2A AXIe System Chassis or up to four in the CHSIS4A AXIe System Chassis.

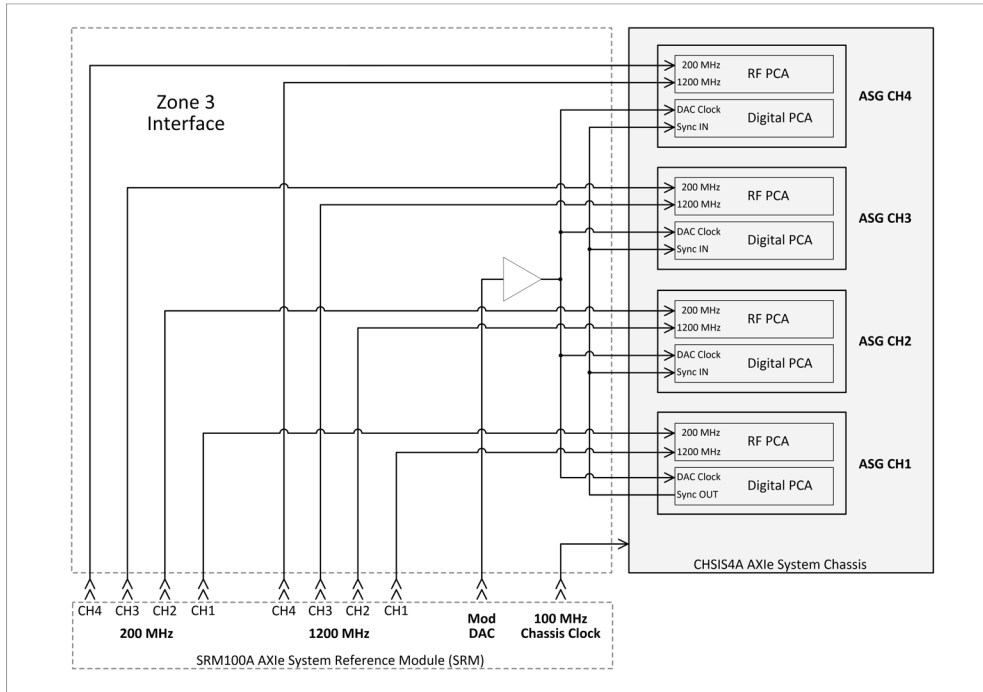


Figure 1 - The CHSIS4A 4-Channel AXIe System Chassis Block Diagram

General Specifications

Environmental	MIL-PRF-28800F for Temperature, Humidity and Altitude only. Operating Random Vibration: 5 to 500 Hz, 0.21 grms. Survival Random Vibration: 5 to 500 Hz, 2.09 grms
Safety	EN61010-1:2010
Emissions	EN61326-1:2013
Weight	
2-CH Systems	Up to 89 lbs (40.4 kg) depending upon configuration
4-CH Systems	Up to 146 lbs (66.2 kg) depending upon configuration
Dimensions	
2-CH Systems	7.25" H X 19.0" W X 24.5" D
4-CH Systems	12.3" H X 19.0" W X 24.5" D
Power	
2-CH Systems	< 450 Watts (90 to 240 VAC)
4-CH Systems	< 900 Watts (90 to 240 VAC)
Form Factor	AXIe

Instrument Control

Serial Interface	PCIe X8 GEN2 (full instrument control)
Ethernet	10/100/1000 Mbps (chassis status only)
Graphical User Interface	Advanced Signal Control Software

Selection Guide by Application

Model Number	APPLICATION				OPTIONS			
	Real-Time Synthesizer	AXIe Companion	Real-Time Threat Emulation	Radar Quiet Target Generator	OPT-ATT Electronic Step Attenuator	OPT-UP1 1200 MHz IF Input	OPT-BCD Parallel BCD Input	OPT-TCI TEmS Control Interface
ASGM18A 100 MHz to 18 GHz Advanced Signal Generator Module	●	●	●	●	●	●	●	●
ASAM18A 500 MHz to 18 GHz Advanced Signal Analyzer Module		●	●				●	
SRM100A System Reference Module	●	●	●	●				
CHSIS2A / CHSIS4A 2-Channel or 4-Channel AXIe System Chassis	●	●	●	●				
CHSISBK AXIe Blank Module: 2-Slot	●	●	●	●				
ONS On-Site System Configuration Service	●	●	●	●				
TEmS Threat Emulation Software and Control System			●					

Ordering Information

Model Number	Description
ASGM18A OPT-ATT OPT-UP1 OPT-BCD OPT-TCI	AXIe Advanced Signal Generator: 100 MHz to 18 GHz Electronic Step Attenuator for 90 dB Dynamic Range 1200 MHz IF Upconverter Input Parallel BCD Input Control Interface TEmS Control Interface
ASAM18A OPT-BCD	AXIe Advanced Signal Analyzer: 500 MHz to 18 GHz Parallel BCD Input Control Interface
SRM100A	AXIe System Reference Module: 10 MHz, 100 MHz, 1200 MHz
CHSIS2A	2-Channel AXIe System Chassis (4U) (For 1 or 2 channel systems)
CHSIS4A	4-Channel AXIe System Chassis (7U) (For 1 to 4 channel systems)
CHSISBK	AXIe Blank Module: 2-Slot cover for Airflow Management and Backplane Termination
EWS20	Extended 2 Year Warranty
EWS40	Extended 4 Year Warranty
Consultancy	Professional Consultation

Standard Warranty



Giga-tronics warrants to the Customer that all manufactured products conform to published specifications and are free from defects in material and workmanship for one year. The period begins on the date of shipment and only applies to normal operation of the product within the appropriate service condition. Giga-tronics shall have no responsibility hereunder for any defect or damage caused by improper storage, improper installation, unauthorized modification, misuse, neglect, inadequate maintenance, accident, or any part which has been repaired or altered by anyone other than Giga-tronics or its authorized representative, or not in accordance with Giga-tronics furnished instructions. <http://www.gigatronics.com/Warranty-Info>

Extended Warranty



Extended warranty (Service and Calibration) can only be purchased at time of ordering or within 30 days after the ship date. Service for extended warranties will be performed by Giga-tronics Incorporated, its Microsource subsidiary; or, an authorized Giga-tronics Service Center. Prices do not include freight, insurance, handling, taxes, duties or any other related shipping charges. Extended warranty service and extended calibration options are based on the original ship date of the product. Extended calibration option requires that units be calibrated annually, if applicable. <http://www.gigatronics.com/Warranty-Info>



American Systems Registrar, LLC certified ISO 9001:2008
 Certification: <http://www.gigatronics.com/Quality>

ISO 9001:2008

Giga-tronics Support Services

At Giga-tronics, we understand the challenges you face. Our support services begin from the moment you call us. We help you achieve both top-line growth and bottom-line efficiencies by working to identify your precise needs and implement smart and result orientated solutions. We believe and commit ourselves in providing you with more than just our superior test solutions. For technical support, contact:

Phone: +1 925.328.4650 | Email: asg-info@gigatronics.com

All data is subject to change without notice. For the latest information on Giga-tronics products and applications, please visit : <http://go-asg.gigatronics.com>